

PHILIPS

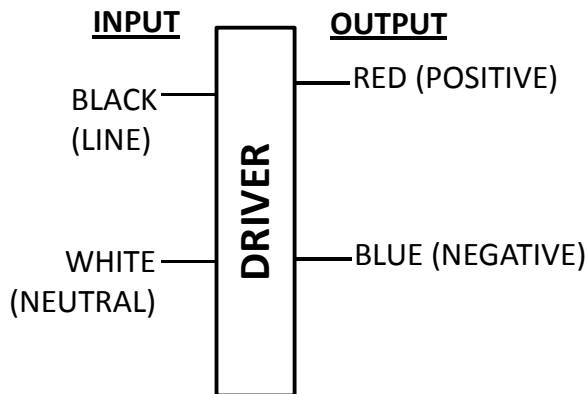
Product Overview

XI020C050V042RNP1

Brand Name	XITANIUM
Description	XITANIUM 20W 0.35-0.5A 42V LE+TE
Input Voltage	120 ~ 277V
Input Freq.	50/60Hz
RoHS	Yes
Status	Preliminary

Input Voltage (Vac)	Output Power (W)	Output Voltage Range (V)	Output Current (A)	Efficiency@ Max Load and 70°C Case	Max Case Temp. (°C)	Input Current (Arms)	Max. Input Power (W)	Inrush Current (Apk/50%-µs)	THD @ Max Load (%)	Power Factor @ Max Load	Surge Protection Common/Diff (KV)	Weight (Lbs/kgs)	Envir. Protection Rating
120	20	21 - 42	0.35 - 0.5	XX	80°C	0.2	24	XX	<15%	>0.95	1.5/1.5	XX	UL damp and dry
277				XX		0.09		XX	<25%	>0.86			

Wire Diagram



Product Data:

Input and output use lead wires.
Lead-wires are 18AWG 105C/600V solid copper.

Lead Length
Standard lead length is 150mm (±10mm) on all wires outside the can.
All wires have tinned ends.

Dimming	Dimming Range (with specified dimmers)	Minimum Output Current (A)	Other Comments
LE + TE	2% ~ 100%	0.01	Only @ 120V

Enclosure



	in.	mm
Case Length	3.74	95
Case Width	1.57	40
Case Height	0.98	25
Mounting Length	3.35	85
Overall Length		



Revised 2/14/2013

PHILIPS LIGHTING ELECTRONICS N.A.

10275 WEST HIGGINS ROAD · ROSEMONT, IL 60018
Tel: 800-322-2086 · Fax: 888-423-1882 · www.philips.com/advance
Customer Support/Technical Service: 800-372-3331 · OEM Support: 866-915-5886



Electrical Specifications

All the specifications are typical and at 25°C Tcase unless specified otherwise.

XI020C050V042RNP1

Brand Name	XITANIUM
Description	XITANIUM 20W 0.35-0.5A 42V LE+TE
Input Voltage	120 ~ 277V
Input Freq.	50/60Hz
RoHS	Yes
Status	Preliminary

Order code	XI020C050V042RNP1
Full product code	XI020C050V042RNP1M (Mid-pack – 48pcs/box)
Full product name	Xitanium 20W 0.35-0.5A 42V LE+TE
Line Voltage	120-277Vac_rms
Line Current	0.2A @ 120V, 0.09A @ 277V
Line Frequency	50/60Hz
Min. Mains voltage operational	108 V [min]
Max. Mains voltage operational	305V [max]
THD (total)	Refer to graph
Power Factor (PF)	Refer to graph
Inrush Current	Per NEMA 410
Lightning Surge Protection	Refer to table below
Output voltage range	21V to 42Vdc
Maximum open circuit voltage	50V
Output Current Ripple (ripple = peak / average)	50% max @ max lout
Output current tolerance	TBD
Protections	Short Circuit and Open Circuit Protection for LED + and LED-
Ambient Temp Range	-20C to +50C
Max Case Temperature (Tcase)	80°C UL Safety
Interfaces	N/A
AOC (Adjustable Output Current)	3500mA to 500mA via dip switches (refer to figures & notes in the Electrical Specification section)
MTP (Module Temperature Protection)	N/A
0-10V Dimming Specifications	N/A
Environmental Protection Rating	UL damp and dry
Agency Approbations	UL8750, UL1310, UL935, CSA-C22.2 No. 250.13-12, CSA C22.2 No. 223
Electromagnetic Compliance	FCC Title 47 Part 15 Class A
Isolation	Refer to table
Audible noise	<24dB Class A

Revised 2/14/2013

PHILIPS LIGHTING ELECTRONICS N.A.

10275 WEST HIGGINS ROAD · ROSEMONT, IL 60018

Tel: 800-322-2086 · Fax: 888-423-1882 · www.philips.com/advance

Customer Support/Technical Service: 800-372-3331 · OEM Support: 866-915-5886



Electrical Specifications

All the specifications are typical and at 25°C Tcase unless specified otherwise.

XI020C050V042RNP1	
Brand Name	XITANIUM
Description	XITANIUM 20W 0.35-0.5A 42V LE+TE
Input Voltage	120 ~ 277V
Input Freq.	50/60Hz
RoHS	Yes
Status	Preliminary

LE + TE Dimming:

LED Current Tolerance at 700mA ≤ 5% over temperature and component variations
Minimum Dim Level: 2% of Iout_max (minimum 10mA)

Approved Dimmer List

Manufacturer	Manufacturer Part Number	Type of Dimmer	Min No. of Drivers per dimmer	Max No. of Drivers per dimmer
Lutron	S-600P	Leading Edge	1	Dimmers can be loaded up to 80% of their max power rating
	DVELV-303P	Trailing Edge		
	NTELV-600	Trailing Edge		
	MAELV-600	Trailing Edge		
	DVLV-600P	Leading Edge		
	SELV-300P	Leading Edge		
	NFTU-5A	Leading Edge		
	CTCL-153P	Leading Edge		
	GL-600H	Leading Edge		
Leviton	RPI06-1L	Leading Edge		

Notes:

1. The start-up time on all drivers is <1S
2. For dimmers not on this list, please contact the dimmer manufacturer for further instructions

Revised 2/14/2013

PHILIPS

Electrical Specifications

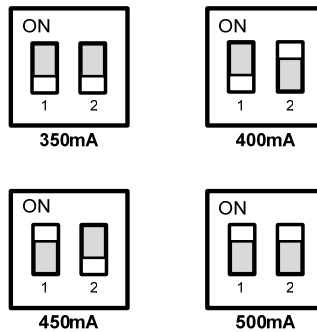
All the specifications are typical and at 25°C Tcase unless specified otherwise.

XI020C050V042RNP1	
Brand Name	XITANIUM
Description	XITANIUM 20W 0.35-0.5A 42V LE+TE
Input Voltage	120 ~ 277V
Input Freq.	50/60Hz
RoHS	Yes
Status	Preliminary

AOC (Adjustable Output Current) Settings:

LED Current Tolerance over temperature and component variations for AOC ≤ 10% at any level.

The output current of the driver can be adjusted using the two dip switches provided on the bottom of the driver. The below picture shows the switch positions required to set the current to different levels.



The driver will be shipped out of factory with both switches set to ON (500mA).

Lifetime vs. Tcase of Driver:

TBD

Revised 2/14/2013

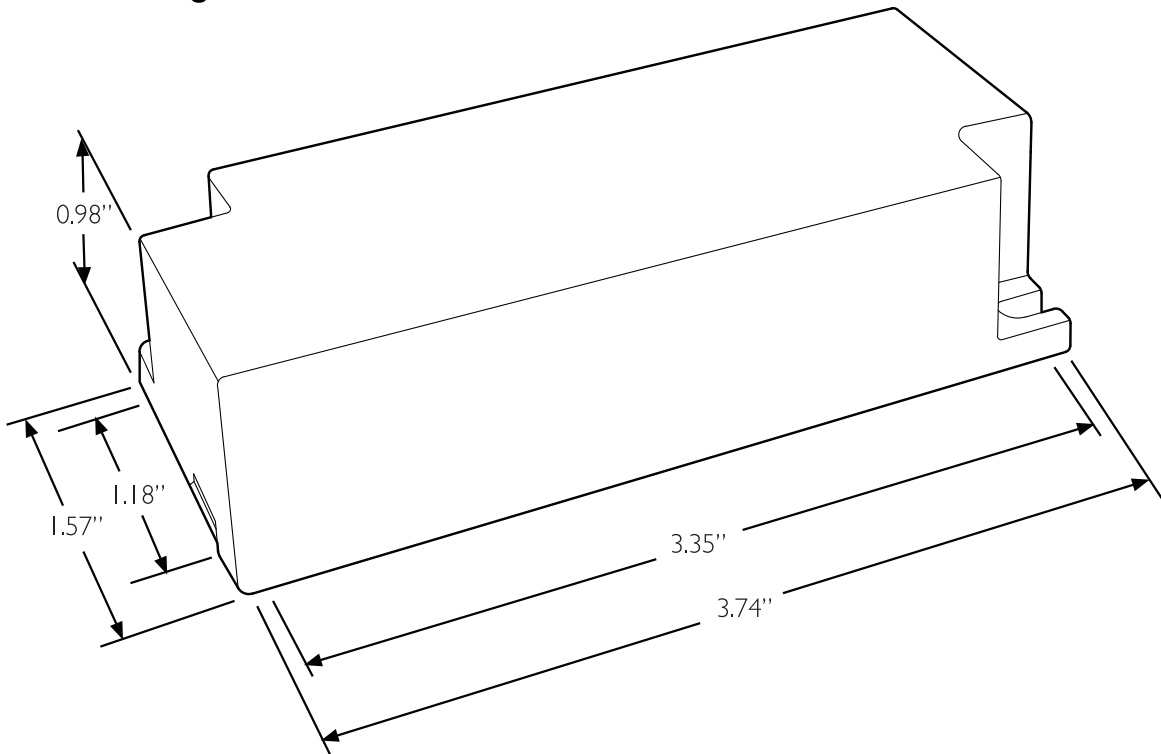
PHILIPS LIGHTING ELECTRONICS N.A.
10275 WEST HIGGINS ROAD · ROSEMONT, IL 60018
Tel: 800-322-2086 · Fax: 888-423-1882 · www.philips.com/advance
Customer Support/Technical Service: 800-372-3331 · OEM Support: 866-915-5886

PHILIPS

Mechanical Specifications

XI020C050V042RNP1	
Brand Name	XITANIUM
Description	XITANIUM 20W 0.35-0.5A 42V LE+TE
Input Voltage	120 ~ 277V
Input Freq.	50/60Hz
RoHS	Yes
Status	Preliminary

Mechanical Drawing:



P-CAN

Revised 2/14/2013

PHILIPS LIGHTING ELECTRONICS N.A.
10275 WEST HIGGINS ROAD · ROSEMONT, IL 60018
Tel: 800-322-2086 · Fax: 888-423-1882 · www.philips.com/advance
Customer Support/Technical Service: 800-372-3331 · OEM Support: 866-915-5886



Application Notes:

XI020C050V042RNP1	
Brand Name	XITANIUM
Description	XITANIUM 20W 0.35-0.5A 42V LE+TE
Input Voltage	120 ~ 277V
Input Freq.	50/60Hz
RoHS	Yes
Status	Preliminary

Isolation:

Isolation	Input	Output
Input	Not applicable	2xU+1KV
Output	2xU+1KV	Not applicable

UL Conditions of Acceptability:

Please contact your Philips representative for a copy of the latest UL Conditions Of Acceptability (COA).

Revised 2/14/2013